



Manufacturer: -
BARTON FIRTOP ENGINEERING COMPANY LIMITED
 Silverwoods Way
 Kidderminster, Worcestershire, DY11 7DT,
 UNITED KINGDOM
 Telephone: (44) 01527 831644
 Fax: (44) 01527 832638
 E-mail: sales@bartonfirtop.co.uk

Data Sheet Number:
SDD/BBC/R600/STL
 Revision: **12**

R/F - 600LB RATING BOLTED COVER MONO BASKET STRAINER

Sizes: 8" to 16" Nominal Bore

Pressure: ASME Class 600LB (Full Rating)

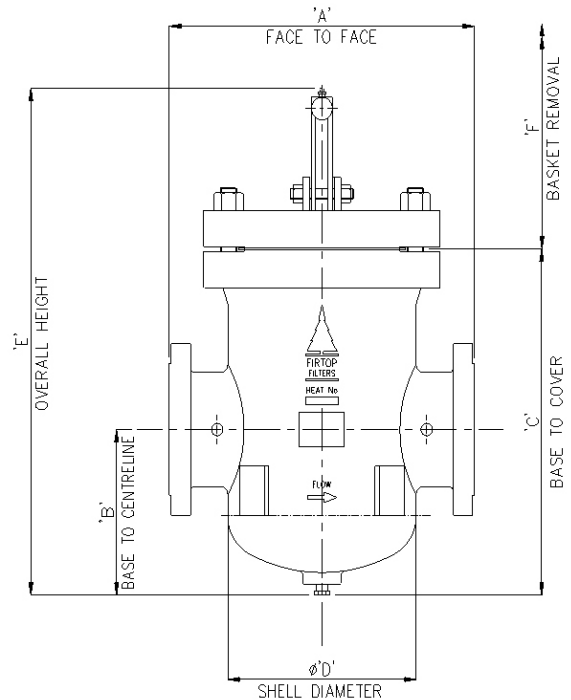
Features:

- Integrally Cast Housing
- Bolted Closure
- Red Oxide Finish as Standard
- 6mm Perf. Basket as Standard
- Cover Davit

Options:

- Special Gasket, Special Basket
- D.P. Tappings/Gauge
- Flanged Drains / Vents
- Special Finish / Linings
- Safety Closure
- Bolt-on Leg Assembly
- Impact Testing for low temp. service

Standards: PED 2014/68/EU
 ASME B16.5 Flange Dimensions
 EN 10204 3.1 Certification
 Generally i.a.w. ASME VIII, Div. 1



All data is subject to confirmation at the time of order. Our policy is one of continual improvement and we reserve the right to amend details without prior notice.

Size		Dimensions (mm)						Basket Area (cm ²)	Vent (NPT or BSPP)	Drain (NPT)	Weight Estimate (Kg)
		'A' Face to Face	'B' Base to Centreline	'C' Base to Cover	'D' Shell Diameter	'E' Overall Height	'F' Basket Removal				
Inch	mm										
8"	200	700.0	355.0	730.0	436.0	1115.0	580.0	3320.0	1/2"	1"	640.0
10"	250	900.0	435.0	905.0	544.0	1360.0	750.0	5165.0	1/2"	1"	1205.0
12"	300	1040.0	515.0	1070.0	646.0	1600.0	880.0	7375.0	1/2"	1"	1765.0
16"	400	1300.0	650.0	1340.0	812.0	1935.0	1100.0	11765.0	1/2"	1"	3450.0

Item	Materials of Construction	
	Carbon Steel	Stainless Steel
Strainer Body (Cast)	ASME SA216 WCB	ASME SA351 CF8M
Strainer Cover	ASME SA216 WCB	ASME SA351 CF8M
Strainer Basket	St.St. 316 (6mm Perf. as Standard / to Customer Specification)	
Cover Gasket (S/W)	St.St.316L / Graphite	
Vent Plug	ASME SA105 N - Zinc Plated	ASME SA182 F316
Drain Plug	ASME SA105 N - Zinc Plated	ASME SA182 F316
Studbolts / Full Nuts	ASME SA193 B7 - Zinc Plated ASME SA194 2H - Zinc Plated	ASME SA193 B8M CI2 SA194 8M
Davit Arm	ASME SA106B - Hot Dip Galvanised	
Gusset Plates	ASME SA516 GR70 - Hot Dip Galvanised	
Nameplate / CE plate	St.St.316	

Model Number Derivation: -

The model number can be derived as follows: - **A***/R60/***/BBC**

Denotes the size i.e. add '400' for a 16" _____

'216' denotes Carbon Steel
 '351' denotes Stainless Steel

For more information, visit our Web Site: www.bartonfirtop.co.uk